

Aviation light pro100 XS

Art.-No.: 500200

Description:

The aviation light pro100XS is developed for the marking of wind turbines according to the German AVV W,red ES.

The procandela® pro100 XS is the next step in the treatment age. With its weight and small dimensions, it outperforms to all available solutions. Also, the installation and commissioning show as simple and economical as never!

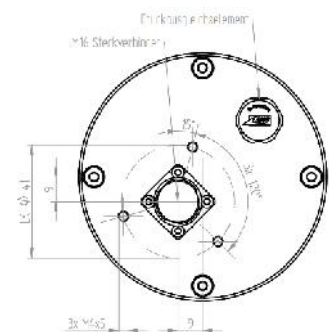
Based on state-of-the-art LED technology and the strictest choice of materials, we can guarantee a long service life even under the most demanding environmental conditions.

Technical Data:

J	Effective luminous:	100 cd, red (360°)
J	Illuminates:	High Power LEDs
J	Power supply:	24V DC
J	Power consumption:	2,8 W (flashing)
J	Housing:	Aluminium seawater- resistant, anodized
J	Sensors:	Integrated control with GPS and twilight sensors
J	Protection class:	IP66
J	Temperature range:	-40 °C to +55 °C
J	Weight:	0,7 kg
J	Dimensions:	Ø 90 mm, Height: 165 mm
J	Status monitoring:	potential free contact, RS485 protocol
J	Electrical Interface:	Industry plug M16
J	Mechanical Interface:	3x M4 screws (Adapter)
J	Approval:	AVV W,red ES



Illustration shows mounting on a pipe adapter



Accessories:

The aviation light pro100 XS will be delivered standardized without a connection cable. Optional a connection cable (7G0,75) can be ordered in individual length. In addition to the power supply, the pro100 XS has an RS485 interface as well as a potential-free error contact.

Different adapter solutions enable a maximum of mounting versions and a very easy installation.